
VIRM: In-service certification (WoF only)

Land Transport Rule: Vehicle Dimensions and Mass

2016 preview pages

Changes in effect from 1 February 2017

January 2017

In November 2016, the Vehicle Dimensions and Mass (VDAM) Rule 2016 was signed, coming into effect on 1 February 2017.

The rule sets vehicle size and weight limits, and vehicle configuration requirements. Although there is a focus on heavy vehicles, light vehicles and motorcycles are affected too, and you should familiarise yourself with all the changes.

It is intended to strike a reasonable balance between the risks that heavy vehicles present to public safety, and the efficient operation of the heavy vehicle fleet within the constraints imposed by the road network.

As a result of the new rule, there are updates to the dimensions sections across the VIRM. The changes are largely similar, with variations according to vehicle type. Please read all the changes for the vehicles you inspect.

Contents

General vehicles.....	2
2-2 Dimensions.....	2
Motorcycles.....	5
2-2 Dimensions.....	5
General trailers.....	7
2-2 Dimensions.....	7
Forklifts.....	11
2-2 Dimensions.....	11
Tractors.....	14
2-2 Dimensions.....	14
Unclassified vehicles.....	17
2-2 Dimensions.....	17

General vehicles

2-2 Dimensions

Reasons for rejection	Tables and images	Summary of legislation
<p>Table 2-2-1. Dimension requirements (see Figure 2-2-1)</p>		
Dimension	Maximum distance	Comments
Width	<p>2.55m</p> <p>1.275m from each side of the longitudinal centreline</p>	<p>Measurement does not include:</p> <ul style="list-style-type: none"> collapsible mirrors which extend no more than 240mm from the side and 1.49m when measured from the vehicle's longitudinal centre line direction indicators and side-marker lamps cab exterior grab rails that extend no more than 50mm from the side of the vehicle the bulge towards the bottom of a tyre cameras or close-proximity monitoring systems mounted on the side exterior of a vehicle that extends not more than 70mm from the side wall of the vehicle devices for improving the aerodynamic performance of a vehicle that extend not more than 25mm from either side of a vehicle.
Overall length	<p>12.6m (no tow coupling fitted)</p> <p>11.5m (tow coupling fitted)</p>	Measurement does not include collapsible mirrors.
Height	4.3m	
Forward distance	<p>9.5m (no tow coupling fitted)</p> <p>8.5m (including tow coupling if fitted)</p>	<p>Forward distance is measured from the rear axis (Note 2) to the front of the vehicle or its load whichever is foremost.</p> <p>Measurement does not include collapsible mirrors.</p>
Rear overhang	4m	Rear overhang is measured from the rear axis (Note 2) to the rear of the vehicle or its load whichever is the greater.

Table 2-2-2. Hazard warning equipment requirements (see Figure 2-2-4 for vehicle category thresholds)

Vehicle category (see Figure 2-2-4)	Dimension	Limits (up to and including)	Required hazard warning equipment
Category 1	Width/forward distance	2.55m /11.4m, or 3.1m/10.5m, or 3.7m/8.5m, or	Flags ¹ or panels ² fitted on each side at the front and rear as close as practical to the outside edge
	Length	25m, or	
	Front overhang	7m, or	
	Rear overhang	7m	
Category 2 (not including category 1)	Width/forward distance	2.55m /13.3m, or 4.5m/8.5m, or	1. Panels ² fitted on each side at the front and rear as close as practical to the outside edge 2. OVERSIZE sign ³ fitted at the front and rear if more than 3.1m wide 3. Revolving amber beacon fitted so that it is visible to approaching traffic if the vehicle is more than 3.7m wide
	Length	35m, or	
	Front overhang	10m, or	
	Rear overhang	10m	
Category 3 (not including category 2)	Width/forward distance	2.55m /20m 5m/20m 5m/8.5m	1. Panels ² fitted on each side at the front and rear as close as practical to the outside edge 2. OVERSIZE sign ³ fitted at the front and rear 3. Revolving amber beacon fitted so that it is visible to approaching traffic if the vehicle is more than 3.7m wide
	Front overhang	10m, or	
	Rear overhang	10m	
Category 4A (not including category 3)	Width/forward distance	11m/20m 11m/8.5m	1. Panels ² fitted on each side at the front and rear as close as practical to the outside edge 2. OVERSIZE sign ³ fitted at the front and rear 3. Revolving amber beacon fitted so that it is visible to approaching traffic if the vehicle is more than 3.7m wide
	Front overhang	10m, or	
	Rear overhang	10m	
Category 4B	Exceeding any limit in Category 4A		1. Panels ² fitted on each side at the front and rear as close as practical to the outside edge 2. OVERSIZE sign ³ fitted at the front and rear 3. Revolving amber beacon fitted so that it is visible to approaching traffic if the vehicle is more than 3.7m wide

¹ Flags:

- must be fluorescent yellow
- must be at least 400mm long x 300mm wide.

² Hazard warning panels:

- must be reflective yellow-green with a reflective orange diagonal stripe
- comply with AS/NZS 1906.1:2007
- be frangible for those portions which extend beyond the vehicle's limits (frangible means breakable or readily deformable)
- must be of at least the minimum dimensions and the colours specified in Figure 2-2-2.

³ OVERSIZE sign:

- must be black lettering on a yellow-green background
- must be at least 300mm x 1100mm in size
- may be in two parts: OVER and SIZE.

Figure 2-2-1. Dimension requirements

(Note: Dimensions in red updated in VDAM 2016)

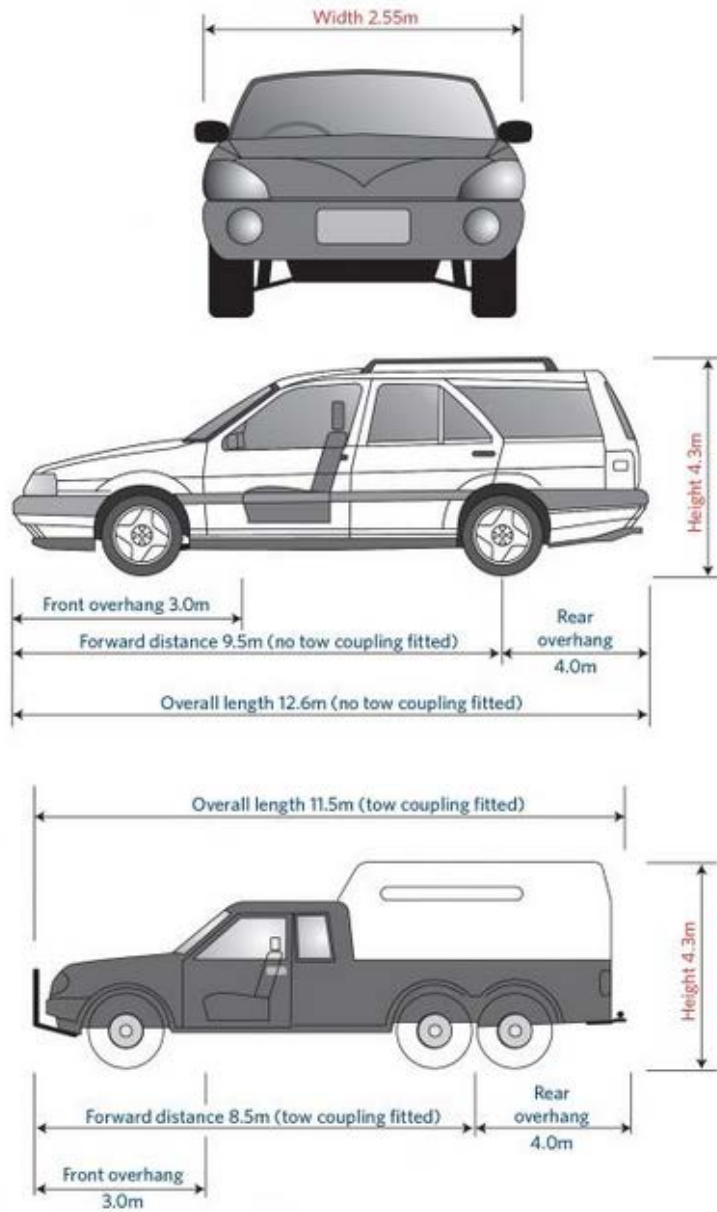
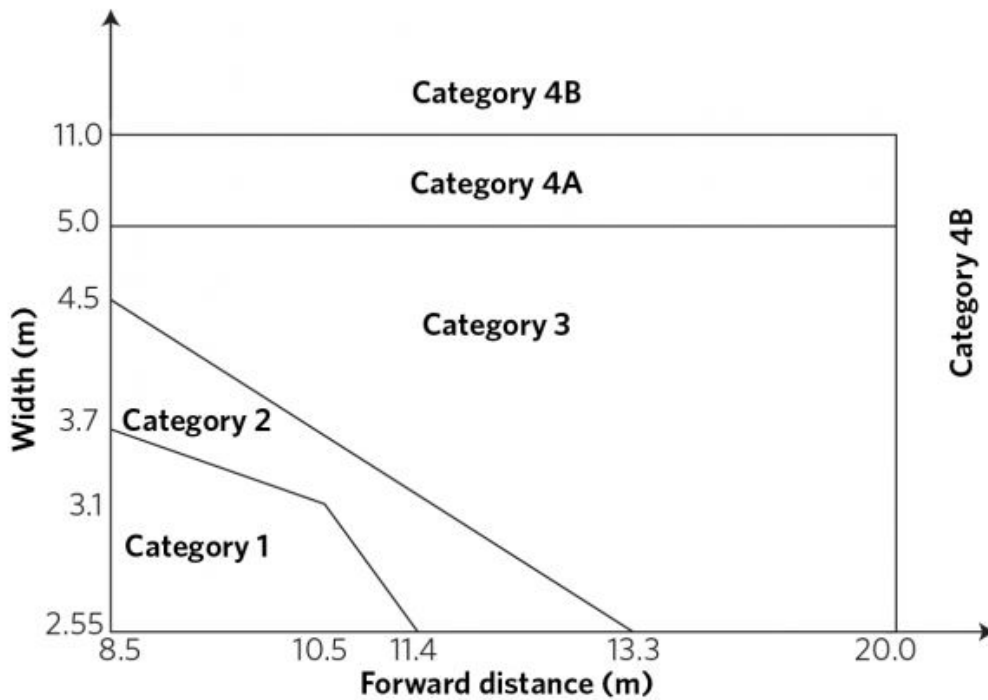


Figure 2-2-4. Vehicle categories and width/forward-distance thresholds



Use this figure to determine vehicle category in [Table 2-2-2](#).

For the purposes of this figure, vehicles with a width less than 2.55m are deemed to have a width of 2.55m and vehicles with a forward distance of less than 8.5m are deemed to have a forward distance of 8.5m.

Motorcycles

2-2 Dimensions

Reasons for rejection **Tables and images** Summary of legislation

Table 2-3-1. Dimension requirements

(see also [Figure 2-3-1](#), [Figure 2-3-2](#), and [Figure 2-3-3](#))

Dimension	Maximum distance	Comments
Width	1.1m (motorcycle without sidecar) 2.55m (motorcycle with sidecar or motor tricycle)	Measurement does not include: <ul style="list-style-type: none"> collapsible mirrors which extend no more than 240mm from the side or 1.49m when measured from the vehicle's longitudinal centre line direction indicators and side-marker lamps the bulge towards the bottom of a tyre.
Overall length	12.6m (no tow coupling fitted) 11.5m (tow coupling fitted)	Measurement does not include collapsible mirrors.
Height	4.3m	

Figure 2-3-1. Maximum width for a motorcycle

(Note: Dimensions in red updated in VDAM 2016)

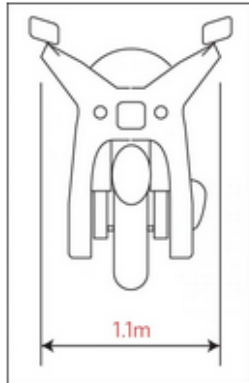


Figure 2-3-2. Maximum width for a motorcycle with sidecar or a motor tricycle

(Note: Dimensions in red updated in VDAM 2016)

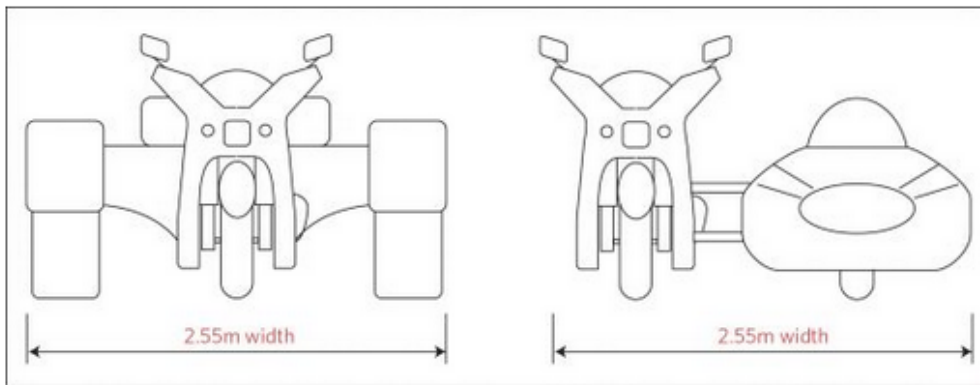
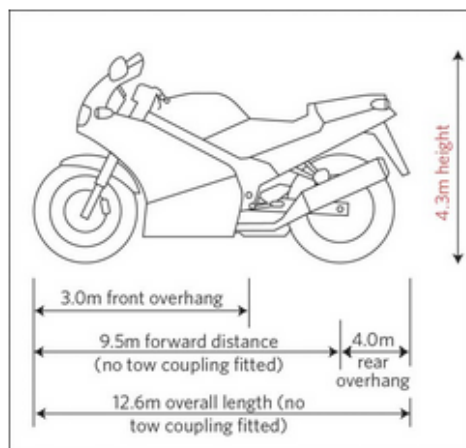


Figure 2-3-3. Other dimensions for a motorcycle, motorcycle with sidecar, or motor tricycle

(Note: Dimensions in red updated in VDAM 2016)



General trailers

2-2 Dimensions

Note 2

An **over-dimension trailer** is one that is either:

- a) fitted with an over-dimension piece of equipment, or
- b) designed to carry an over-dimension load that cannot be divided, eg glider trailers and large boat trailers, or
- c) a specialist overdimension trailer.

Operational requirements for such trailers are given in **Factsheet 53a – Overdimension vehicles and loads**.

Reasons for rejection

Tables and images

Summary of legislation

Table 2-2-1. Dimension requirements

Note All measurements must be taken with the vehicle combination in a straight line.

Dimension	Maximum distance	Comments
Width	2.55m 1.275m from each side of the longitudinal centreline of the trailer	Measurement does not include: <ul style="list-style-type: none"> • direction indicators and side-marker lamps • the bulge towards the bottom of a tyre • cameras or close-proximity monitoring systems mounted on the side exterior of a vehicle that extends not more than 70mm from the side wall of the vehicle • devices for improving the aerodynamic performance of a vehicle that extend not more than 25mm from either side of a vehicle.
Overall length	12.5m (simple trailers) 11.5m (full trailers)	For a full trailer, measurement is to the centre of the towing eye.
Height	4.3m	
Forward distance	8.5m (simple and full trailers) 9.2m (semi-trailer)	Forward distance is measured from: <ul style="list-style-type: none"> • simple trailer: from the rear axis (Note 3) to the centre of the point of attachment to towing vehicle • full trailer: from the rear axis to front of trailer body/chassis (excludes drawbar) or load, whichever is foremost • semi-trailer: from the rear axis to centre of kingpin.
Rear overhang	4m	Rear overhang is measured from the rear axis to the rear of the vehicle or its load, whichever is greater.
Front overhang	2.04m radius arc ahead of: <ul style="list-style-type: none"> • tow coupling centre (simple trailer) • turntable centre (full trailer) • kingpin centre (semi-trailer) 	Front overhang (Figure 2-2-5) is measured from: <ul style="list-style-type: none"> • simple trailer: tow coupling centre to front of trailer • full trailer: turntable centre to front of trailer body (excludes drawbar) • semi-trailer: kingpin centre to front of trailer

Table 2-2-2. Hazard warning equipment requirements for vehicles that exceed the dimensions in Table 2-2-1 (see Figure 2-2-3 for vehicle category thresholds)

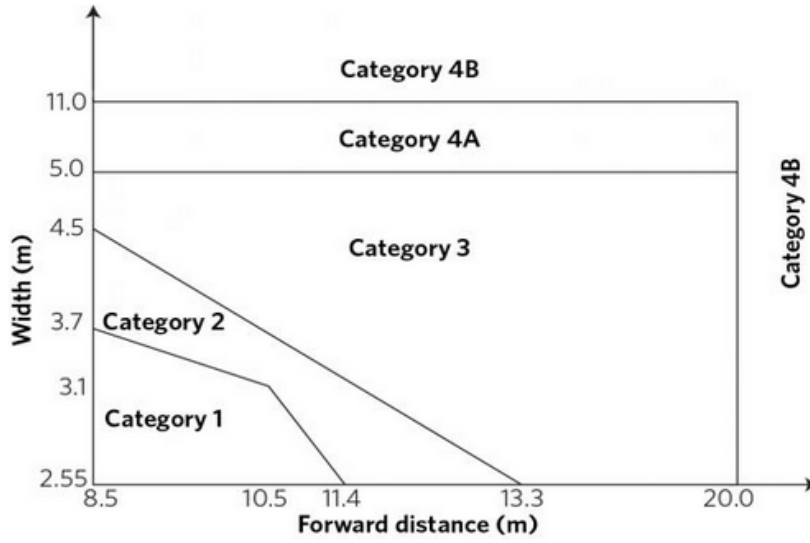
Vehicle category (See Figure 2-2-3)	Dimension	Limits (up to and including)	Required hazard warning equipment
Category 1	Width/forward distance	2.55m /11.4m, or 3.1m/10.5m, or 3.7m/8.5m, or	1. Flags ¹ or panels ² fitted on each side at the front and rear as close as practical to the outside edge
	Length	25m, or	
	Front overhang	7m, or	
	Rear overhang	7m	
Category 2 (not including category 1)	Width/forward distance	2.55m /13.3m, or 4.5m/8.5m, or	1. Panels ² fitted on each side at the front and rear as close as practical to the outside edge 2. OVERSIZE sign ³ fitted at the front and rear if more than 3.1m wide
	Length	35m, or	
	Front overhang	10m, or	
	Rear overhang	10m	
Category 3 (not including category 2)	Width/forward distance	2.55m /20m 5m/20m 5m/8.5m	1. Panels ² fitted on each side at the front and rear as close as practical to the outside edge 2. OVERSIZE sign ³ fitted at the front and rear
	Front overhang	10m, or	
	Rear overhang	10m	
Category 4A (not including category 3)	Width/forward distance	11m/20m 11m/8.5m	1. Panels ² fitted on each side at the front and rear as close as practical to the outside edge 2. OVERSIZE sign ³ fitted at the front and rear
	Front overhang	10m, or	
	Rear overhang	10m	
Category 4B	Exceeding any limit in Category 4A		1. Panels ² fitted on each side at the front and rear as close as practical to the outside edge 2. OVERSIZE sign ³ fitted at the front and rear 3. Revolving amber beacon fitted so that it is visible to approaching traffic if the vehicle is more than 3.7m wide

- Additional operational requirements may apply, eg if operated at night.

² Hazard warning panels:

- must be reflective yellow-green with a reflective orange diagonal stripe
- comply with AS/NZS 1906.1:2007
- be frangible for those portions which extend beyond the vehicle's limits (frangible means breakable or readily deformable)
- must be of at least of the minimum dimensions and the colours specified in Figure 2-2-1

Figure 2-2-3. Vehicle categories and width/forward-distance thresholds.

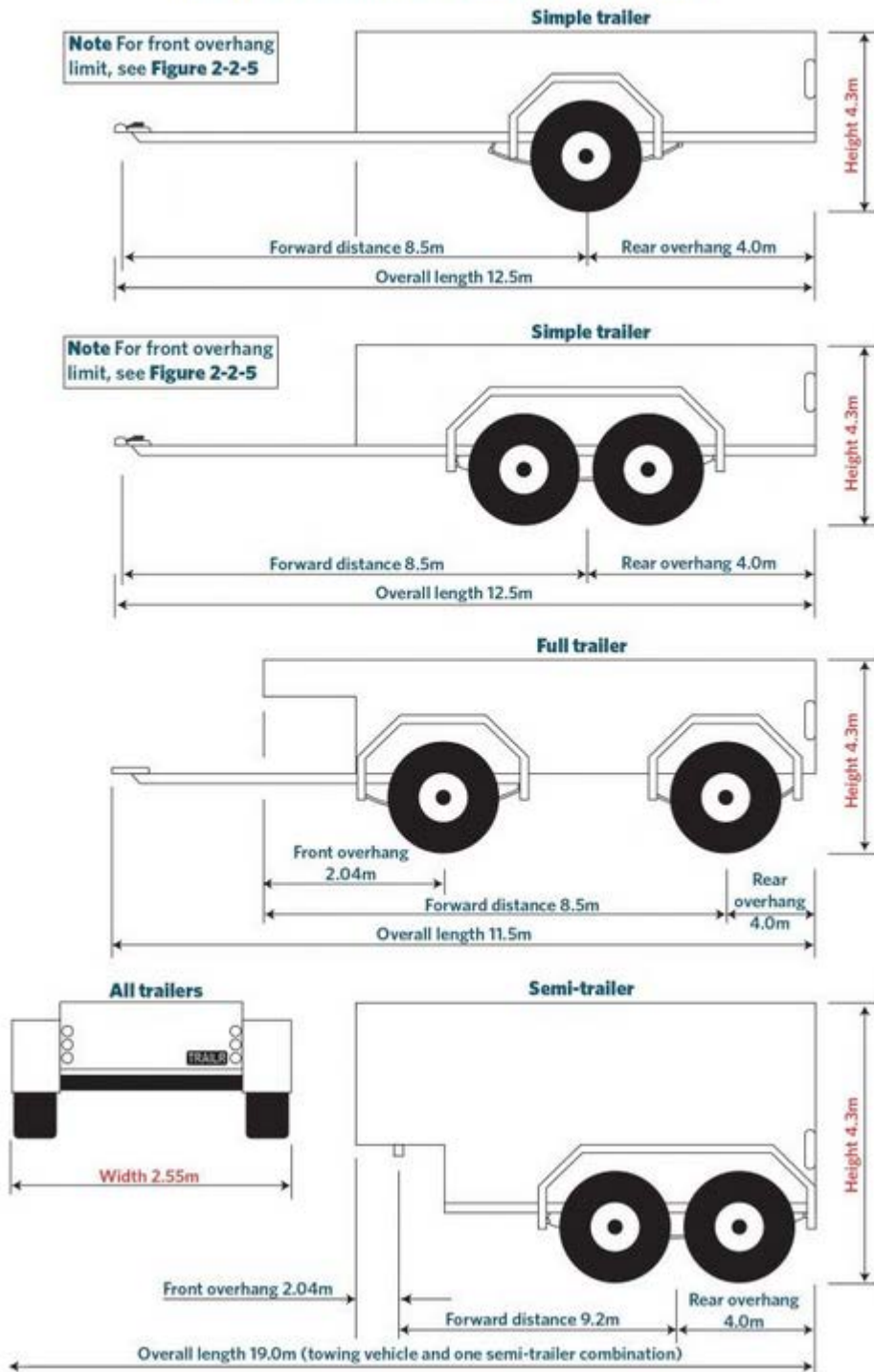


Use this figure to determine the correct category referred to in Table 2-2-2.

For the purposes of this figure, vehicles with a width less than 2.55m are deemed to have a width of 2.55m and vehicles with a forward distance of less than 8.5m are deemed to have a forward distance of 8.5m.

Figure 2-2-4. Trailer dimensions

(Note: Dimensions in red updated in VDAM 2016)



Forklifts

2-2 Dimensions

Reasons for rejection	Tables and images	Summary of legislation
Table 2-2-1. Dimension requirements (see Figure 2-2-4)		
Dimension	Maximum distance	Comments
Width	2.55m 1.275m from each side of the longitudinal centreline	Measurement does not include: <ul style="list-style-type: none"> collapsible mirrors which extend no more than 240mm from the side and 1.49m when measured from the vehicle's longitudinal centre-line direction indicators and side-marker lamps cab exterior grab rails that extend no more than 1.325m when measured from a vehicle's longitudinal centre-line the bulge towards the bottom of a tyre.
Overall length	12.6m (no tow coupling fitted) 11.5m (tow coupling fitted)	Measurement does not include collapsible mirrors.
Height	4.3m	

Table 2-2-2. Hazard warning equipment requirements for vehicles that exceed the dimensions in Table 2-2-1

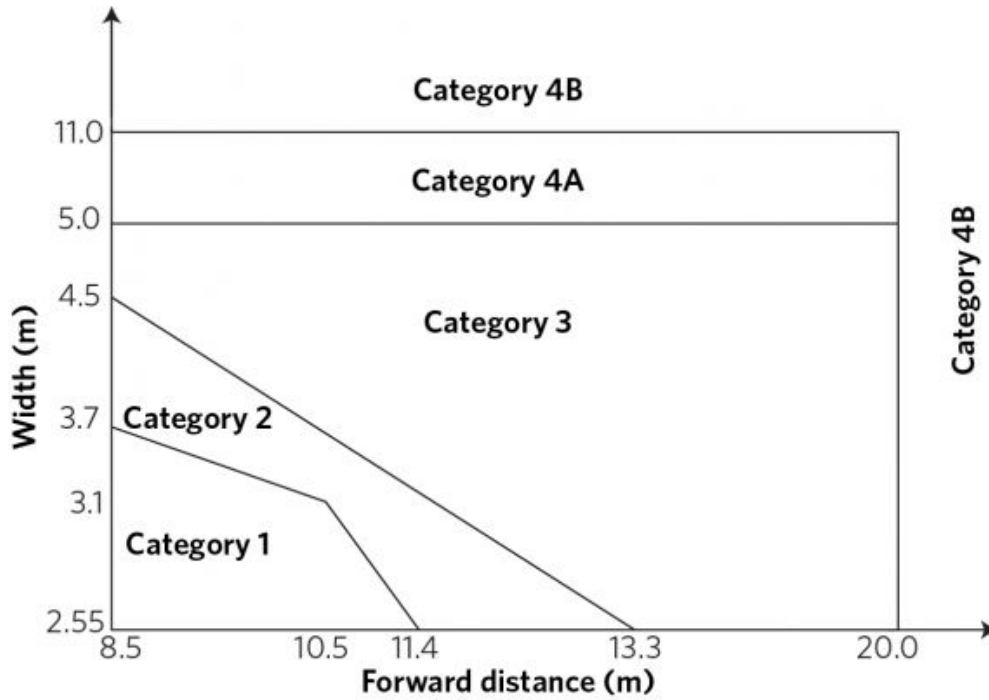
Vehicle category (see Figure 2-2-4)	Dimension	Limits (up to and including)	Required hazard warning equipment
Category 1	Width/forward distance (see Figure 2-2-3)	2.55m /11.4m, or 3.1m/10.5m, or 3.7m/8.5m, or	Flags ¹ or panels ² fitted on each side at the front and rear as close as practical to the outside edge
	Length	25m, or	
	Front overhang	7m, or	
	Rear overhang	7m	
Category 2 (not including category 1)	Width/forward distance (see Figure 2-2-3)	2.55m /13.3m, or 4.5m/8.5m, or	1. Panels ² fitted on each side at the front and rear as close as practical to the outside edge 2. OVERSIZE sign ³ fitted at the front and rear if more than 3.1m wide 3. Revolving amber beacon fitted so that it is visible to approaching traffic if the vehicle is more than 3.7m wide
	Length	35m, or	
	Front overhang	10m, or	
	Rear overhang	10m	
Category 3 (not including category 2)	Width/forward distance (see Figure 2-2-3)	2.55m /20m 5m/20m 5m/8.5m	1. Panels ² fitted on each side at the front and rear as close as practical to the outside edge 2. OVERSIZE sign ³ fitted at the front and rear 3. Revolving amber beacon fitted so that it is visible to approaching traffic if the vehicle is more than 3.7m wide
Category 4A (not including category 3)	Width/forward distance (see Figure 2-2-3)	11m/20m 11m/8.5m	1. Panels ² fitted on each side at the front and rear as close as practical to the outside edge 2. OVERSIZE sign ³ fitted at the front and rear 3. Revolving amber beacon fitted so that it is visible to approaching traffic if the vehicle is more than 3.7m wide
Category 4B	Exceeding any limit in Category 4A		1. Panels ² fitted on each side at the front and rear as close as practical to the outside edge 2. OVERSIZE sign ³ fitted at the front and rear 3. Revolving amber beacon fitted so that it is visible to approaching traffic if the vehicle is more than 3.7m wide

² Hazard warning panels

- must be reflective yellow-green with a reflective orange diagonal stripe
- comply with AS/NZS 1906.1:2007
- be frangible for those portions which extend beyond the vehicle's limits (frangible means breakable or readily deformable)
- must be of at least of the minimum dimensions and of the colours specified in Figure 2-2-1.

Figure 2-2-3. Overdimension vehicle categories for width/forward distance thresholds

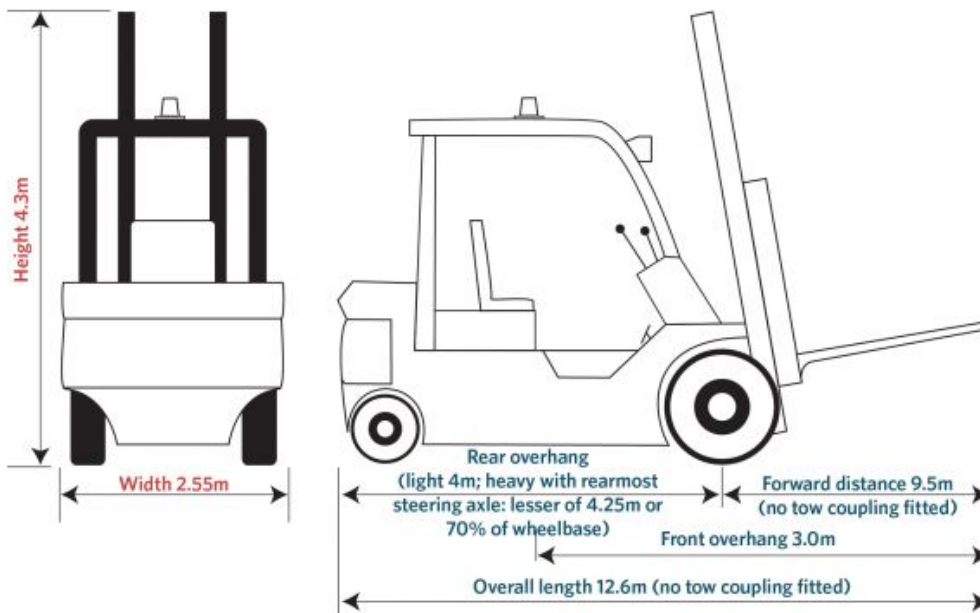
Use this figure to determine vehicle category in Table 2-2-2.



For the purposes of Figure 2-2-3 vehicles with a width less than 2.55m are deemed to have a width of 2.55m and vehicles with a forward distance of less than 8.5m are deemed to have a forward distance of 8.5m.

Figure 2-2-4. Dimension requirements

(Note: Dimensions in red updated in VDAM 2016)



Tractors

2-2 Dimensions

Reasons for rejection	Tables and images	Summary of legislation												
<p>Table 2-2-1. Dimension requirements (see Figure 2-2-4)</p> <table border="1"> <thead> <tr> <th>Dimension</th> <th>Maximum distance</th> <th>Comments</th> </tr> </thead> <tbody> <tr> <td>Width</td> <td>2.55m 1.275m from each side of the longitudinal centreline of the vehicle</td> <td>Measurement does not include: <ul style="list-style-type: none"> • collapsible mirrors which extend no more than 240mm from the side or 1.49m when measured from the vehicle's longitudinal centre line • direction indicators and side-marker lamps • cab exterior grab rails that extend no more than 1.325m when measured from a vehicle's longitudinal centre-line • the bulge towards the bottom of a tyre. </td> </tr> <tr> <td>Overall length</td> <td>12.6m (no tow coupling fitted) 11.5m (tow coupling fitted)</td> <td>Measurement does not include collapsible mirrors.</td> </tr> <tr> <td>Height</td> <td>4.3m</td> <td></td> </tr> </tbody> </table>			Dimension	Maximum distance	Comments	Width	2.55m 1.275m from each side of the longitudinal centreline of the vehicle	Measurement does not include: <ul style="list-style-type: none"> • collapsible mirrors which extend no more than 240mm from the side or 1.49m when measured from the vehicle's longitudinal centre line • direction indicators and side-marker lamps • cab exterior grab rails that extend no more than 1.325m when measured from a vehicle's longitudinal centre-line • the bulge towards the bottom of a tyre. 	Overall length	12.6m (no tow coupling fitted) 11.5m (tow coupling fitted)	Measurement does not include collapsible mirrors.	Height	4.3m	
Dimension	Maximum distance	Comments												
Width	2.55m 1.275m from each side of the longitudinal centreline of the vehicle	Measurement does not include: <ul style="list-style-type: none"> • collapsible mirrors which extend no more than 240mm from the side or 1.49m when measured from the vehicle's longitudinal centre line • direction indicators and side-marker lamps • cab exterior grab rails that extend no more than 1.325m when measured from a vehicle's longitudinal centre-line • the bulge towards the bottom of a tyre. 												
Overall length	12.6m (no tow coupling fitted) 11.5m (tow coupling fitted)	Measurement does not include collapsible mirrors.												
Height	4.3m													

Table 2-2-2. Hazard warning equipment requirements for vehicles that exceed the dimensions in Table 2-2-1

Vehicle category	Dimension	Limits (up to and including)	Required hazard warning equipment
Category 1	Width/forward distance (see Figure 2-2-3)	2.55m / 11.4m, or	Flags ¹ or panels ² fitted on each side at the front and rear as close as practicable to the outside edge (for agricultural motor vehicles with excess front overhang, see (Note 3)).
		3.1m/10.5m, or 3.7m/8.5m, or	
	Length	25m, or	
	Front overhang	7m, or	
	Rear overhang	7m	
Category 2 (not including category 1)	Width/forward distance (see Figure 2-2-3)	2.55m / 13.3m, or	<ul style="list-style-type: none"> • Panels² fitted on each side at the front and rear as practicable to the outside edge (for agricultural motor vehicles with excess front overhang, see (Note 3)) • OVERSIZE sign³ fitted at the front and rear if more than 3.1m wide • Amber beacon fitted to the cab roof if more than 3.7m wide.
		4.5m/8.5m, or	
	Length	35m, or	
	Front overhang	10m, or	
	Rear overhang	10m	
Category 3 (not including category 2)	Width/forward distance (see Figure 2-2-3)	2.55m / 20m	<ul style="list-style-type: none"> • Panels² fitted on each side at the front and rear as practicable to the outside edge (for agricultural vehicles motor with excess front overhang, see (Note 3)) • OVERSIZE sign³ fitted at the front and rear • Amber beacon fitted to the cab roof if more than 3.7m wide.
		5m/20m	
	Front overhang	10m, or	
	Rear overhang	10m	
Category 4A (not including category 3)	Width/forward distance (see Figure 2-2-3)	11m/20m	<ul style="list-style-type: none"> • Panels² fitted on each side at the front and rear as practicable to the outside edge (for agricultural motor vehicles with excess front overhang, see (Note 3)) • OVERSIZE sign³ fitted at the front and rear • Amber beacon fitted to the cab roof if more than 3.7m wide.
		11m/8.5m	
	Front overhang	10m, or	
	Rear overhang	10m	
Category 4B	Exceeding any limit in Category 4A		<ol style="list-style-type: none"> 1. Panels² fitted on each side at the front and rear as close as practical to the outside edge 2. OVERSIZE sign³ fitted at the front and rear 3. Revolving amber beacon fitted so that it is visible to approaching traffic if the vehicle is more than 3.7m wide

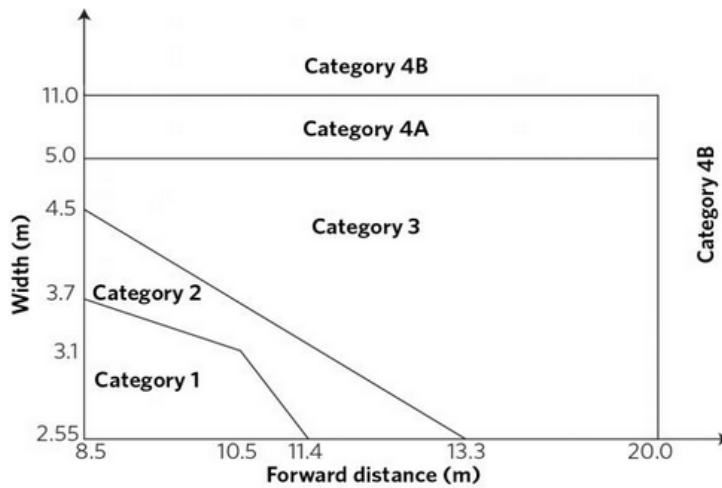
* Additional operational requirements may apply, eg if operated at night.

² Hazard warning panels:

- must be reflective yellow green with a reflective orange diagonal stripe
- comply with AS/NZS 1906.1:2007
- be frangible for those portions which extend beyond the vehicle's limits (frangible means breakable or readily deformable)
- must be of at least the minimum dimensions and the colours specified in Figure 2-2-1
- instead of displaying a hazard warning panel an agricultural tractor with a width exceeding 2.55m but less than 3.1m may instead be fitted with and use an amber beacon when operated on the road.

Figure 2-2-3. Vehicle categories and width/forward distance thresholds

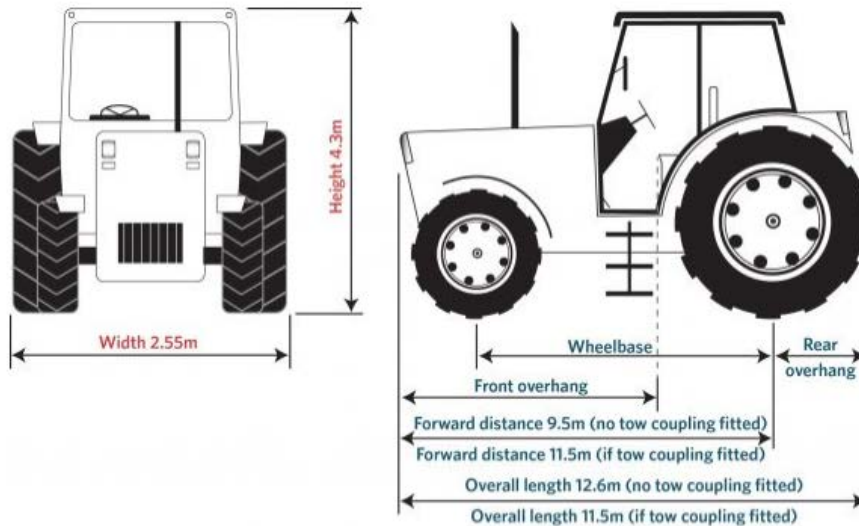
Use this figure to determine vehicle category in Table 2-2-2.



For the purposes of this figure, vehicles with a width less than 2.55m are deemed to have a width of 2.55m and vehicles with a forward distance of less than 8.5m are deemed to have a forward distance of 8.5m.

Figure 2-2-4. Dimension requirements

(Note: Dimensions in red updated in VDAM 2016)



Front overhang:

- Non-agricultural motor vehicle: 3.0m
- Agricultural motor vehicle: 4.0m

Rear overhang:

- For a heavy rigid vehicle with rearmost axle non-steering - the lesser of 4m or 70% of wheelbase
- For a heavy rigid vehicle with rearmost axle steering - the lesser of 4.25m or 70% of wheelbase

Unclassified vehicles

2-2 Dimensions

Reasons for rejection	Tables and images	Summary of legislation
<p>Table 2-2-1. Dimension requirements (see Figure 2-2-4, Figure 2-2-5, Figure 2-2-6)</p>		
Dimension	Maximum distance	Comments
Width	<p>2.55m</p> <p>1.275m from each side of the longitudinal centreline of the vehicle</p>	<p>Measurement does not include:</p> <ul style="list-style-type: none"> collapsible mirrors which extend no more than 240mm from the side and 1.49m when measured from the vehicle's longitudinal centre line direction indicators and side-marker lamps cab exterior grab rails that extend no more than 1.325m when measured from a vehicle's longitudinal centre-line the bulge towards the bottom of a tyre cameras or close-proximity monitoring systems mounted on the side exterior of a vehicle that extends not more than 70mm from the side wall of the vehicle devices for improving the aerodynamic performance of a vehicle that extend not more than 25mm from either side of a vehicle.
Overall length	<p>Rigid vehicle without tow coupling: 12.6m</p> <p>Rigid vehicle with tow coupling, full trailer: 11.5m</p> <p>Towing vehicle and semi-trailer combination: 19m</p> <p>(Note: A semi-trailer with a quad-axle set that was first registered before 1 February 2017 may have two steering axles if the overall length of the towing vehicles and its trailer does not exceed 18m)</p> <p>Towing vehicle and simple trailer: 22m</p> <p>Any other vehicle combination: 20m</p>	<p>Measurement does not include collapsible mirrors.</p>
Height	4.3m	

<p>Rear overhang</p>	<p>Vehicle with GVM 3500kg or less:</p> <ul style="list-style-type: none"> • 4m <p>Vehicle with GVM greater than 3500 kg:</p> <ul style="list-style-type: none"> • rigid vehicle with rearmost axle being a non-steering axle: 4m or 70% of wheelbase (whichever is less) • rigid vehicle with rearmost axle being a steering axle: 4.25m or 70% of wheelbase (whichever is less) • simple trailer: 4.0m or 50% of forward distance (whichever is less) • semi-trailer: 4.3m or 50% of forward distance (whichever is less) • full trailer: 4m or 50% of wheelbase (whichever is less) • Vehicle first registered anywhere before 1 December 1989: 4m. 	<ul style="list-style-type: none"> • Rear overhang is measured from the rear axis (Note 2) to the rear of the vehicle.
----------------------	---	--

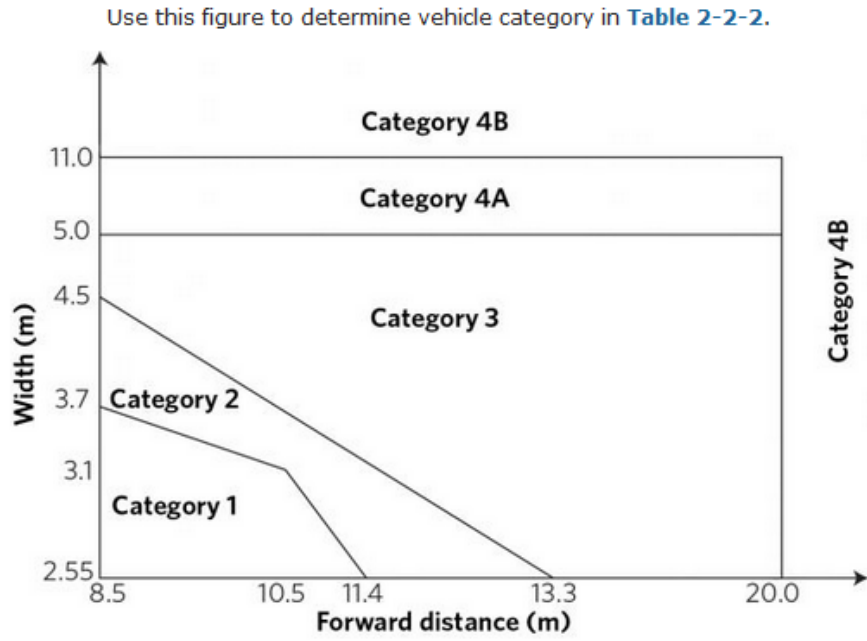
Table 2-2-2. Hazard warning equipment requirements for vehicles that exceed the dimensions in Table 2-2-1

Vehicle category (see Figure 2-2-4)	Dimension	Limits (up to and including)	Required hazard warning equipment
Category 1	Width/forward distance	2.55m /11.4m, or 3.1m/10.5m, or 3.7m/8.5m, or	1. Flags ¹ or panels ² fitted on each side at the front and rear as close as practical to the outside edge 2. OVERSIZE sign ³ if width exceeds 3.1m and vehicle is piloted.
	Length	25m, or	
	Front overhang	7m, or	
	Rear overhang	7m	
Category 2 (not including category 1)	Width/forward distance	2.55m /13.3m, or 4.5m/8.5m, or	1. Panels ² fitted on each side at the front and rear as close as practical to the outside edge 2. OVERSIZE sign ³ fitted at the front and rear if more than 3.1m wide 3. Revolving amber beacon fitted so that it is visible to approaching traffic if the vehicle is more than 3.7m wide
	Length	35m, or	
	Front overhang	10m, or	
	Rear overhang	10m	
Category 3 (not including category 2)	Width/forward distance	2.55m /20m 5m/20m 5m/8.5m	1. Panels ² fitted on each side at the front and rear as close as practical to the outside edge 2. OVERSIZE sign ³ fitted at the front and rear 3. Revolving amber beacon fitted so that it is visible to approaching traffic if the vehicle is more than 3.7m wide
	Front overhang	10m, or	
	Rear overhang	10m	
Category 4A (not including category 3)	Width/forward distance	11m/20m 11m/8.5m	1. Panels ² fitted on each side at the front and rear as close as practical to the outside edge 2. OVERSIZE sign ³ fitted at the front and rear 3. Revolving amber beacon fitted so that it is visible to approaching traffic if the vehicle is more than 3.7m wide
	Front overhang	10m, or	
	Rear overhang	10m	
Category 4B	Exceeding any limit in Category 4A		1. Panels ² fitted on each side at the front and rear as close as practical to the outside edge 2. OVERSIZE sign ³ fitted at the front and rear 3. Revolving amber beacon fitted so that it is visible to approaching traffic if the vehicle is more than 3.7m wide

² Hazard warning panels:

- must be reflective yellow-green with a reflective orange diagonal stripe
- comply with AS/NZS 1906.1:2007
- be frangible for those portions which extend beyond the vehicle's limits (frangible means breakable or readily deformable)
- must be of at least the minimum dimensions and the colours specified in Figure 2-2-2.

Figure 2-2-3. Overdimension vehicle categories for width/forward distance thresholds



For the purposes of this figure, vehicles with a width less than 2.55m are deemed to have a width of 2.55m and vehicles with a forward distance of less than 8.5m are deemed to have a forward distance of 8.5m.

Figure 2-2-4. Trailer dimensions

(Note: Dimensions in red updated in VDAM 2016)

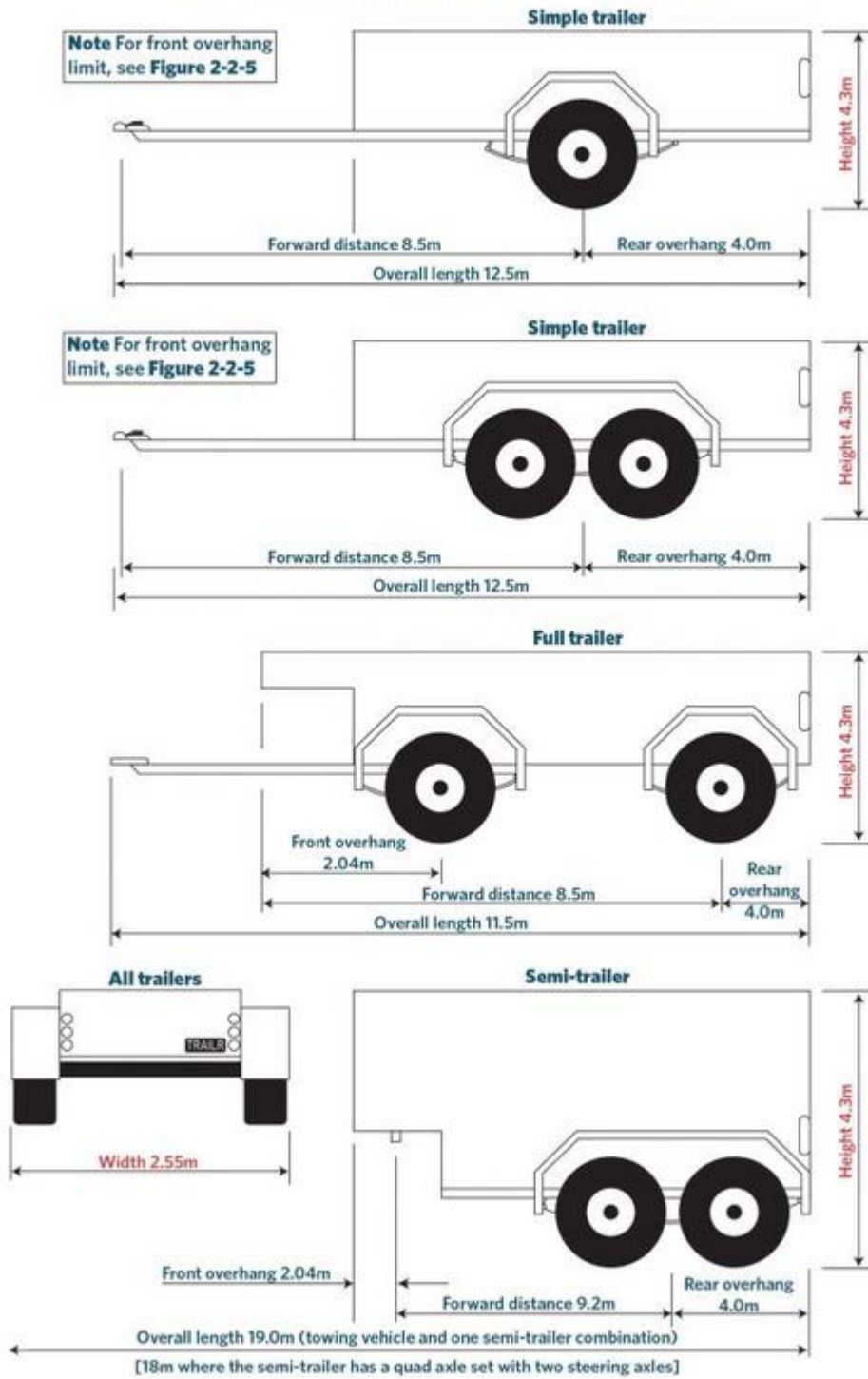


Figure 2-2-6. Dimensions for rigid heavy vehicles

(Note: Dimensions in red updated in VDAM 2016)

